

Mauget

STEMIX PLUS®

1 - 1 - 1

Contents

24 Individual (6ml.) Capsules
 Net Weight: (0.22 oz.) (6.2g.) each
 With Micro-Injector Tubes

___ Shipping box: 12 Cartons as above.

Guaranteed Analysis

| | |
|------------------------------|----------|
| Total Nitrogen (N)..... | 1.00% |
| 0.71% Ammoniacal Nitrogen | |
| 0.29% Nitrate Nitrogen | |
| Available Phosphate (P)..... | 1.00% |
| Soluble Potash (K2O)..... | 1.00% |
| Calcium (Ca)..... | 0.18% |
| 0.18% Chelated Calcium | |
| Copper (Cu)..... | 0.08% |
| 0.08% Chelated Copper | |
| Iron (Fe)..... | 0.27% |
| 0.27% Chelated Iron | |
| Magnesium (Mg)..... | 0.09% |
| 0.09% Chelated Magnesium | |
| Manganese (Mn)..... | 0.08% |
| 0.08% Chelated Manganese | |
| Zinc (Zn)..... | 0.29% |
| INERT INGREDIENTS..... | 96.01% |
| TOTAL..... | 100.000% |

Derived from Diammonium Phosphate, Potassium Nitrate, and Iron, Calcium, Copper, Magnesium, Manganese, and Zinc EDTA (Ethylenediaminetetraacetic acid) chelates.

GENERAL DIRECTIONS

STEMIX® PLUS contains a formula of agricultural minerals designed to stimulate both foliar and root growth. The micro-injection technique is particularly effective in promoting new foliar, cambial and root growth where conventional applications of fertilizing amendments alone do not produce this effect. This product is not an insecticide and should not be used on trees subject to problems other than nutritional deficiencies.

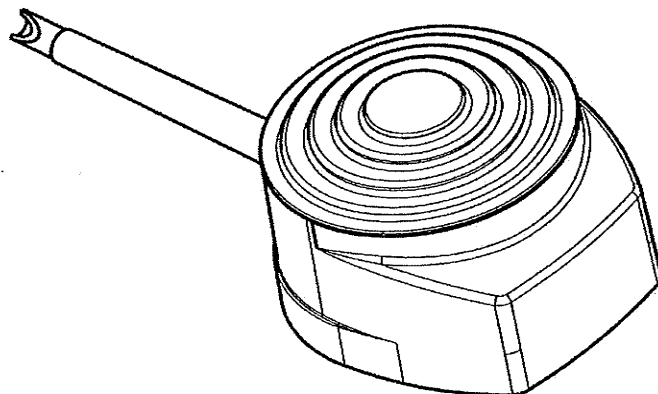
This injection treatment is particularly useful in trees where successful correction of deficiencies cannot be produced by foliage or soil feeding.

This injection treatment should be applied no more than once per year. Under some conditions, it may be desirable to alternate with other Inject-A-Min® products for the greatest assortment of Agricultural Minerals.

Notice: The J.J. Mauget Co. shall not be liable in respect to any injury or damage suffered solely by reason of the use of this product for a purpose not indicated on this label, or when used contrary to the printed directions or in respect to the breach of any warranty expressed on the label.

This product has been registered with the Washington State Department of Agriculture. When applied as directed, this fertilizer meets the Washington standards for arsenic, cadmium, cobalt, mercury, molybdenum, lead, nickel, selenium, and zinc. You have the right to receive specific information about Washington standards from the distributor of this product.

Information received by the Washington State Department of Agriculture regarding components in this product are available on the Internet at "<http://www.wa.gov/agr>".



J.J. MAUGET CO. ARCADIA, CALIFORNIA 91006-5847
 Made in U.S.A.

REV. 10/30/2014

DIRECTION FOR USE

IT IS A VIOLATION OF FEDERAL LAW TO USE THIS PRODUCT IN ANY MANNER INCONSISTENT WITH ITS LABELING.

Do not apply this product in a way that will contact workers or other persons, either directly or through drift.
For any requirement specific to your State or Tribe, consult the agency responsible for pesticide regulation.

AGRICULTURAL USE REQUIREMENTS

Use this product only in accordance with its labeling and the Worker Protection Standard, 40 CFR 170. This standard contains requirements for the protection of agricultural workers on farms, forest, nurseries and greenhouses, and the handlers of agricultural pesticides. It contains requirements for training, decontamination, notification, and emergency assistance. It also contains specific instructions and exceptions pertaining to the statements on this label about personal protective equipment (PPE). The requirements in this box only apply to uses of this product that are covered by the Worker Protection Standard.

1. The MAUGET SYSTEM

- (A) Mauget compressible micro-injector with insert hole
- (B) Feeder tube with flanged gun-sight and opposite tapered beveled end

2. TOOLS

- (A) Portable Electric Drill
- (B) 11/64 in. (0.4 cm) drill bit
- (C) Optional soft headed Mallet or Hammer
- (D) Tape Measure
- (E) Insertion Tool (optional)

3. NUMBER OF MICRO-INJECTORS

Measure the tree at chest height in inches. If measuring the circumference, divide this number by six (6) to determine the number of micro-injectors needed. If measuring diameter, divide this number by two (2) to determine the number of micro-injectors needed. If the number of micro-injectors results in a fraction, round down to the lower whole number. The health, species of the tree and the environmental conditions will determine the rates of uptake.

4. PRESSURIZING THE MICRO-INJECTOR

Apply the appropriate amount of pressure on the top of the micro-injector capsule in order to compress.

5. DRILLING THE TREE HOLE

It is recommended to Predrill spaced injection sites at a slight downward angle at the root flair/buttruss area (approximately 6.0 to 8.0 in., (15 to 20 cm) above ground level, using a clean 11/64 in. (0.4 cm) drill bit (except monocotyledons, conifers etc.). Drill to a depth of 3/8-to-1/2 in. (0.60-to-1.3 cm) into healthy xylem tissue under the bark. For mini-micro feeder tube, see Step 10. Disinfect drill bit, insertion tool (if used) as well as mini-micro insertion tool prior to use on each tree.

6. TREE HOLE DEPTH

It is important that the feeder tube be set to the proper depth in the conductive xylem tissue. If set too deeply, flow is restricted by blockage in the heartwood; if set too shallow, leakage may occur. The feeder tube dispensing end is beveled to allow for a 1/4 in. plus tolerance.

7. COMBINING MICRO-INJECTOR AND FEEDER TUBE

Several methods of combining the micro-injector capsule with the feeder tube are acceptable including placing by hand, the feeder tube's flange end, with the flange notch upward, into the micro-injector insert hole of a compressed upright micro-injector capsule. Push the flange end of the feeder tube flush with the membrane located at the inner end of the insert hole.

8. PLACING THE FEEDER TUBE IN THE TREE

It is recommended to firmly seat the beveled, dispensing end of the feeder tube, with the attached upright micro-injector capsule, into the predrilled tree injection hole. Tap the rear side, opposite the insert hole of the micro-injector capsule either with a optional mallet, hammer or push forward with the palm of your hand. This action will simultaneously seat the feeder tube in the injection hole while breaking the micro-injector capsule membrane for releasing the micro-injector capsule contents into the feeder tube and into the tree. Another method is to place the feeder tube in the predrilled hole of the tree using the optional insert tool. Then place the compressed micro-injection capsule onto the feeder tube in place.

9. REMOVAL

Uptake in the tree usually occurs within several minutes. Micro-Injectors may be temporarily rotated in place to see if any liquid is left. When empty, turn the micro-injectors upside down for one minute before removal. Applicators must remove micro-injectors promptly after treatment. Empty micro-injectors must not be left on the tree. The health and species of the tree, and local environmental conditions will determine the rate of uptake. If the micro-injector capsule does not completely empty within a few hours, invert and carefully remove the micro-injector and enclose it in a heavy duty plastic bag for disposal in accordance with state and local regulations.

10. MINI-MICRO FEEDER TUBE

For established trees with thin bark (less than 3/8 in. thickness), use a 7/64 in. drill bit to produce a micro-injection site for a mini-micro feeder tube. Use of the Mini-Micro Insertion tool is recommended.